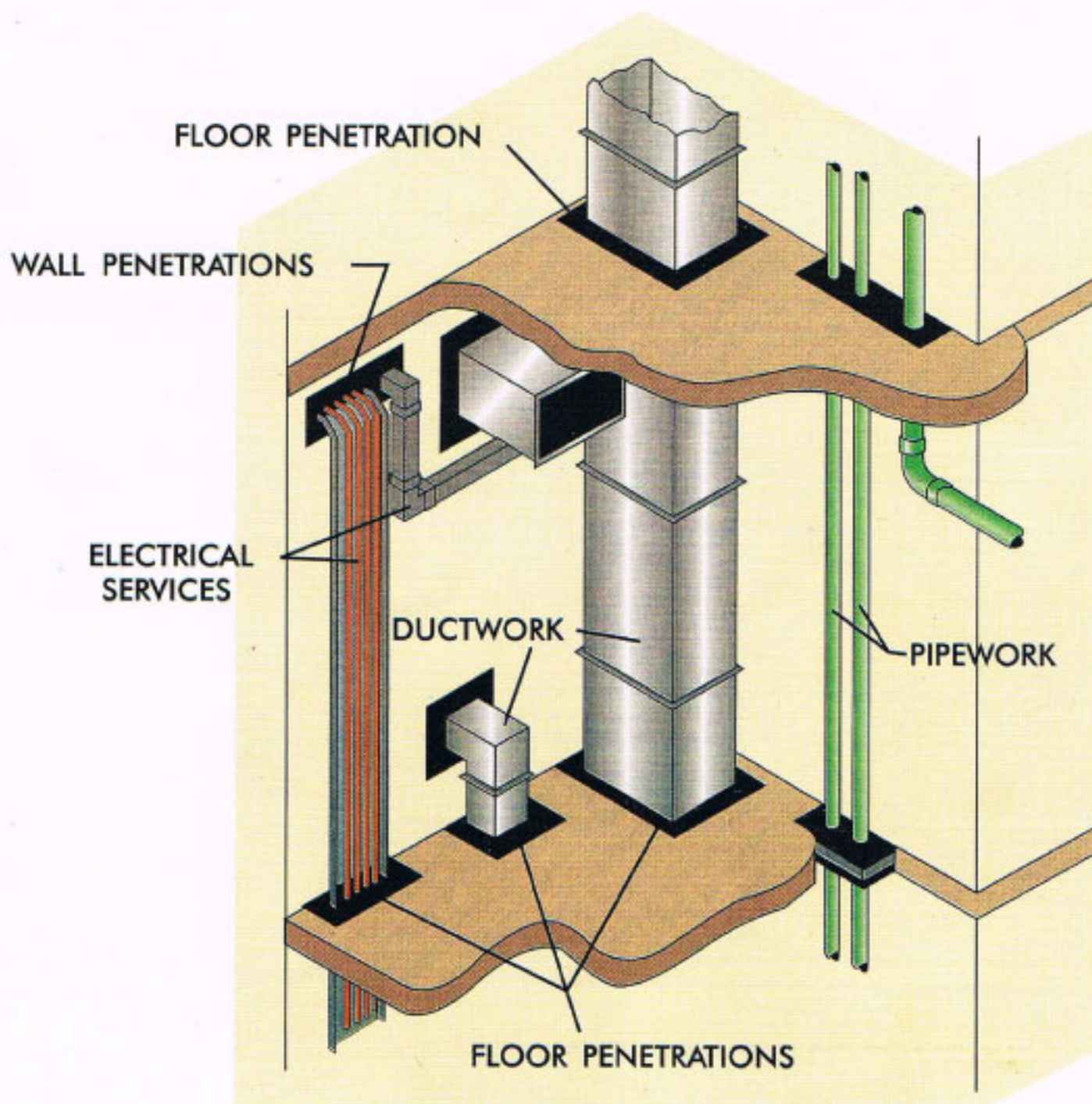




Flamebar Fire Resistant Barriers and Penetration Seals

The **Flamebar** range offers to consultants, architects and main contractors, a complete range of penetration seals for both walls and floors.



Testing

All penetration seals are tested in accordance with the relevant part of BS476 and satisfy the requirements of the current building regulations.



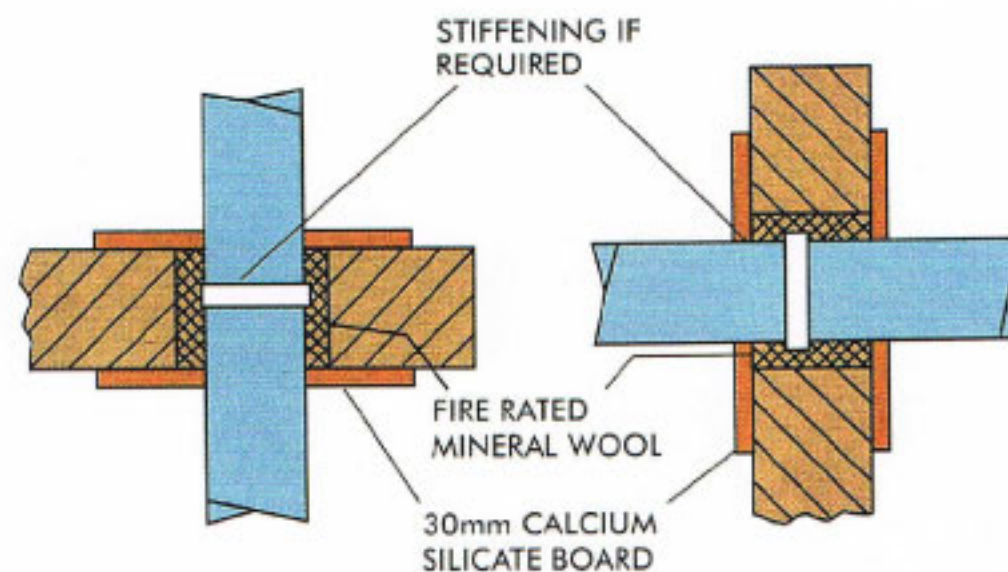
Fire Compartmentation using Flamebar Systems

Spread of fire within the building can be restricted by sub-dividing the building into compartments, which are separated from one another by walls or floors, of a known fire resisting construction. **Flamebar** systems help prevent rapid fire spread into adjacent compartments, and assist in controlling the fire and allow escape from the building.

Where walls and floors are penetrated by mechanical and/or electrical services, **Flamebar** systems are able to provide the solution.

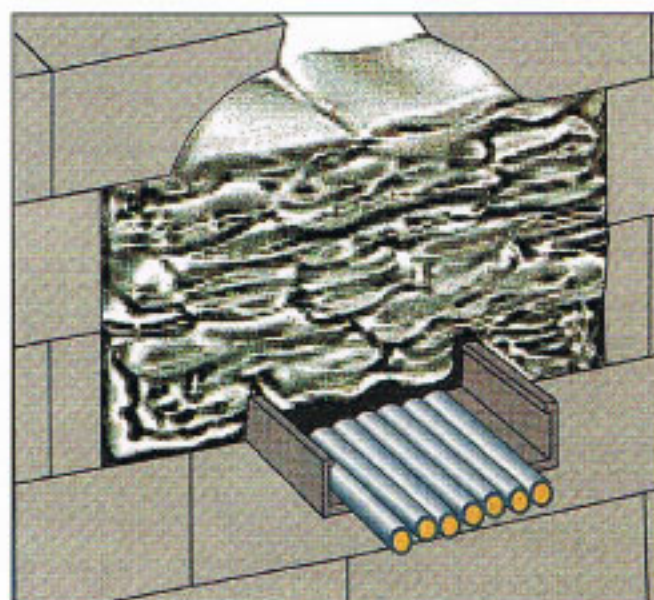
Selection of typical penetration seals available. For particular applications, please consult our technical department.

Ductwork Penetration through Solid Walls and Floors (any size)



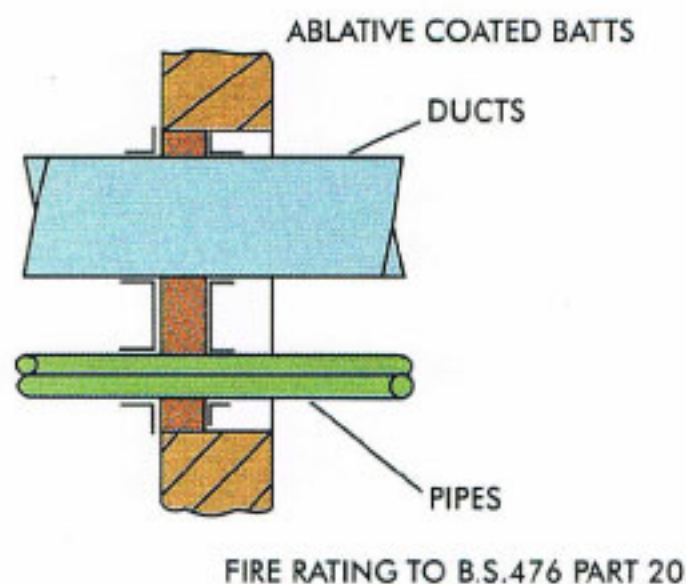
- Fire tested to BS476 Pt 24 in conjunction with **Flamebar** BW11 Fire Rated ductwork systems for up to 4 hours Integrity and Insulation.
- The penetration hole size should be a maximum of no more than 150mm larger than the duct.

Temporary or Permanent Penetration Seal through Solid Wall/Floor using Flamebar Fire Resistant Pillows



- Flamebar** Fire Pillows are supplied in large, small and sausage sizes to enable ease of installation around all types of penetration services.
- Flamebar** Fire Pillows are especially suitable where services are being continuously changed or replaced.
- Fire tested to BS476 pt 20 for up to 4 hours Integrity and 2 hours Insulation.

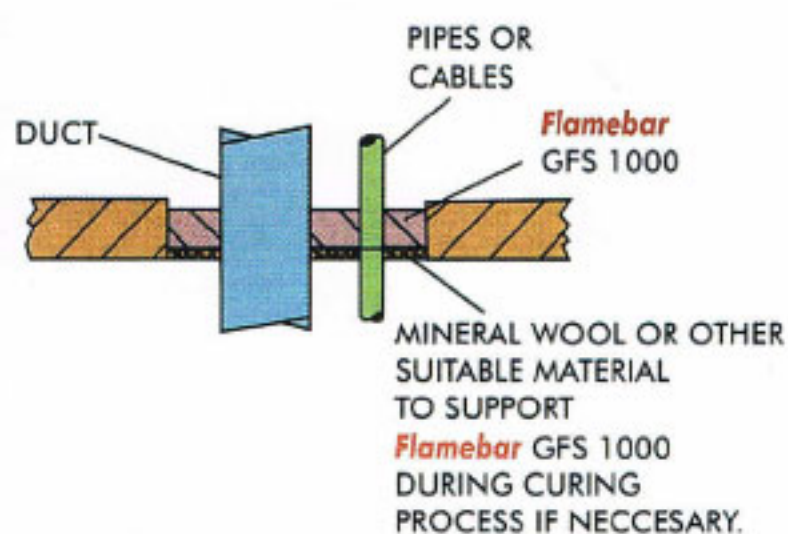
Flamebar Acrylic Coating for coating Mineral Fibre Board to provide a tested Penetration Seal



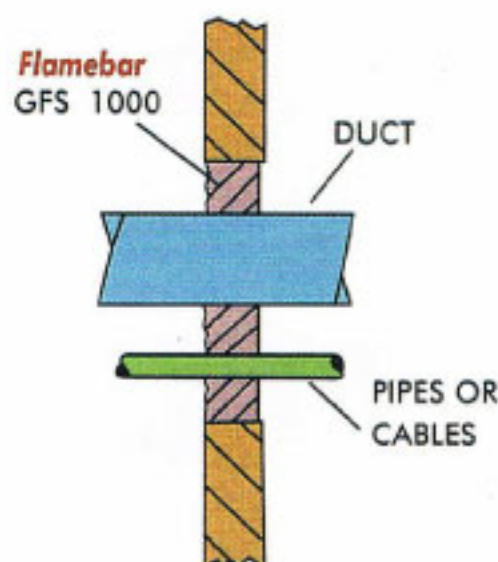
- ◆ **Flamebar** Acrylic coating applied to a high density mineral fibre board can achieve up to 4 hours Integrity and Insulation rating for a range of penetrations including cables, cable trays, trunking and ductwork in both wall and floor locations.

Flamebar GFS 1000 Gypsum based mortar Firestopping

**Floor Penetration
Pouring Method**



Wall Penetration



- ◆ Fire rating to BS476 pt 20 for up to 4 hours Integrity and Insulation
- ◆ For 2 hours Integrity and Insulation **Flamebar** GFS 1000 is a minimum of 75mm thick
- ◆ For 4 hours Integrity and Insulation **Flamebar** GFS 1000 is a minimum of 100mm thick

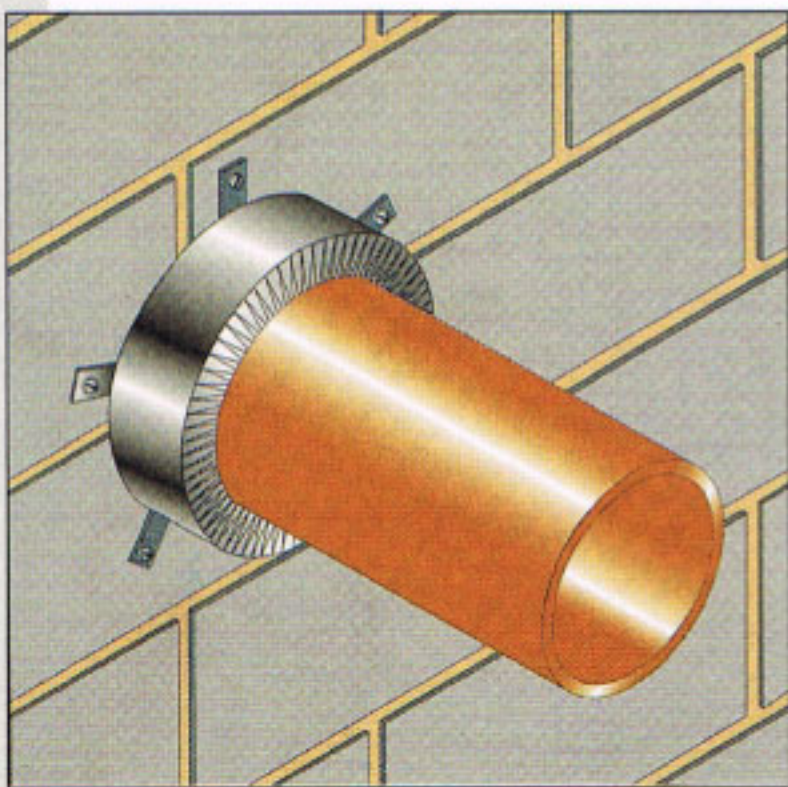


Flamebar Fire Resistant Barriers and Penetration Seals are protected by Design Right

Penetration Seals for UPVC and PVC Pipework

Flamebar Pipe Collar

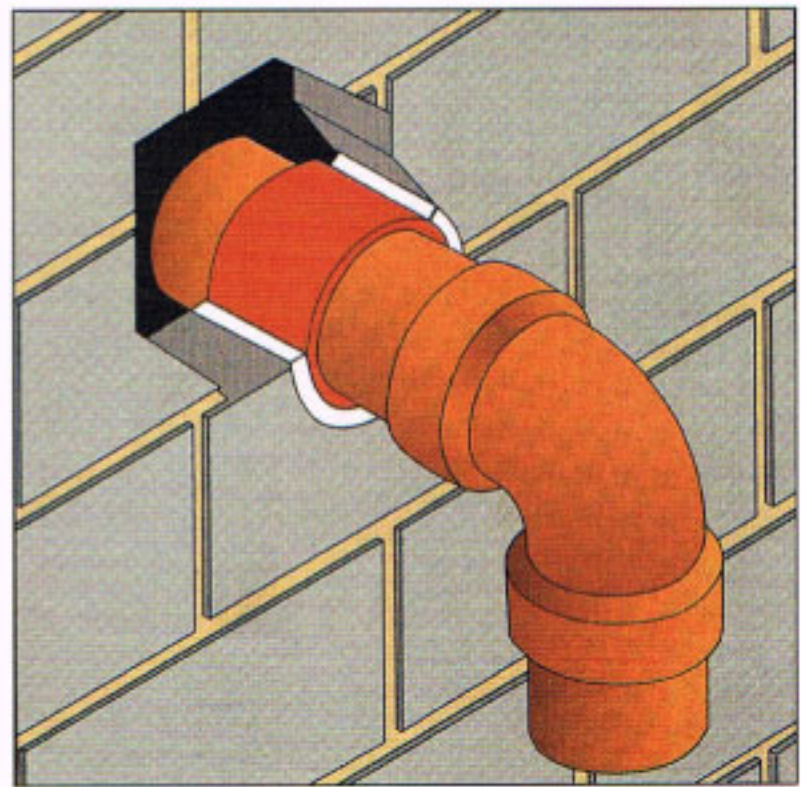
Tested to BS476 pt 20 for up to 4 hours fire resistance the collar incorporates an intumescent composite based on graphite and designed to provide high volume expansion and pressure seal.



Flamebar Pipe Collars are available in a polished stainless steel finish and are suitable for walls and floors whether face mounted or internal. Collar sizes are available for pipe diameters from 55mm to 400mm dia.

Flamebar Pipe Wrap

Tested to BS476 pt 20 for up to 4 hours fire resistance the wrap is an intumescent composite on EPDM binder and designed to provide high volume expansion and pressure seal.



Flamebar Pipe Wraps can be used in both floor and wall applications and are available in a range of sizes to protect pipes up to 160mm dia.



BITEC ENTERPRISE LTD.

11th Floor, KPN Tower Building 723 Rama 9 Road.,
Bangkapi, Huaykwang, Bangkok 10310 Thailand

Tel . (662)717-1155 Fax.(662)717-1160

www.bitecenterprise.com

